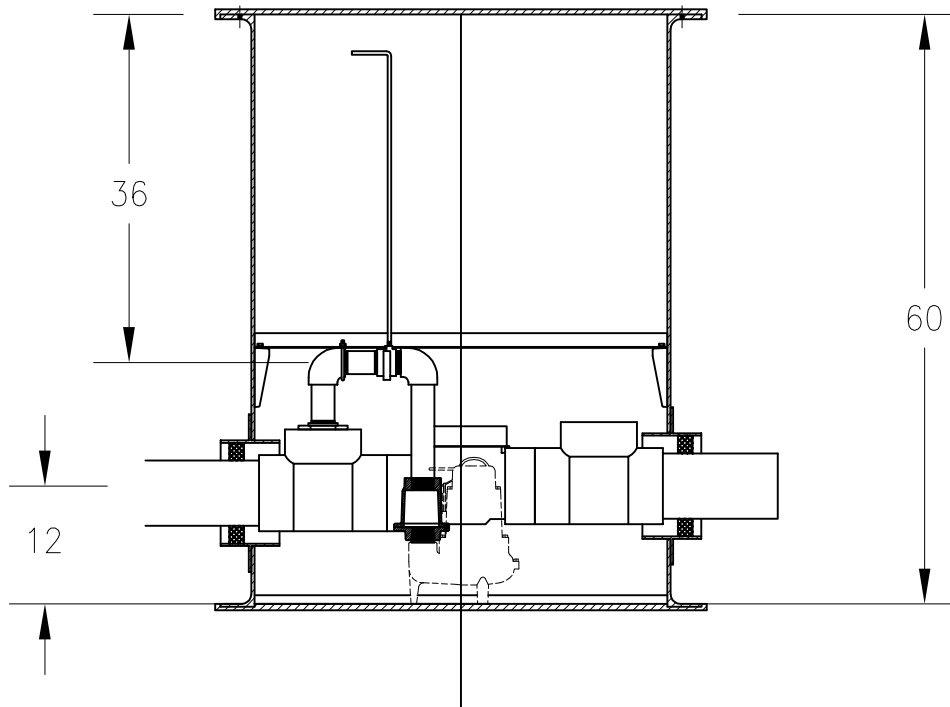
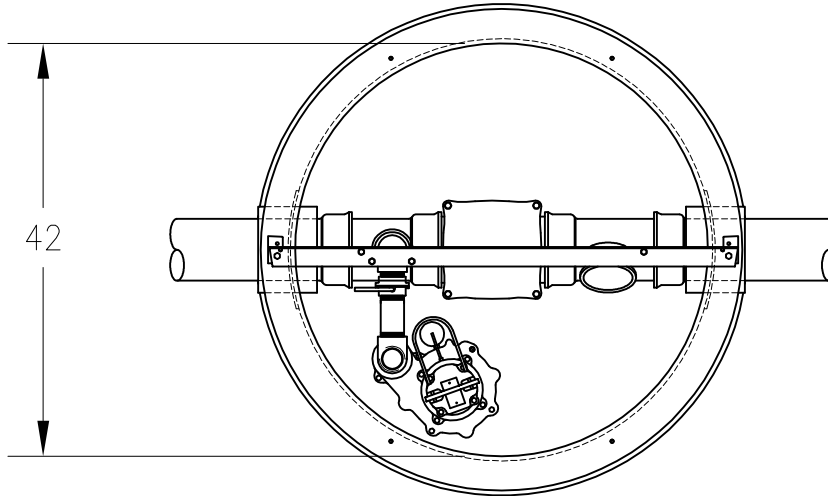


DRAWING REVISIONS				
LTR	BY	DATE	ECO #	DESCRIPTION



DO NOT SCALE PRINT
UNLESS OTHERWISE SPECIFIED
DIMENSIONS ARE IN INCHES.

DRAFTER: M.FRENCH

9/7/10

TITLE:
FLOOD CONTROL SYSTEM
BASIN, FG 42X60
SOLID FG COVER
6" PVC/GALV PLBG

ZOELLER
PUMP CO.
LOUISVILLE, KY.

TOLERANCES:	DECIMALS
	.X ±~
	.XX ±~
ANGLES ± ~	.XXX ±~
FRACTIONS ± ~	.XXXX±~

CHECKED:

APPROVED:

P/N: ~ REV.: ~

SHEET: 1 OF 1

DWG. No.

RD574-6PVC

- IMPORTANT -

NUMBERS ENCLOSED IN A CIRCLE; EXAMPLE (1), INDICATES A CRUCIAL SPECIFICATION THAT MUST BE ROUTINELY VERIFIED.