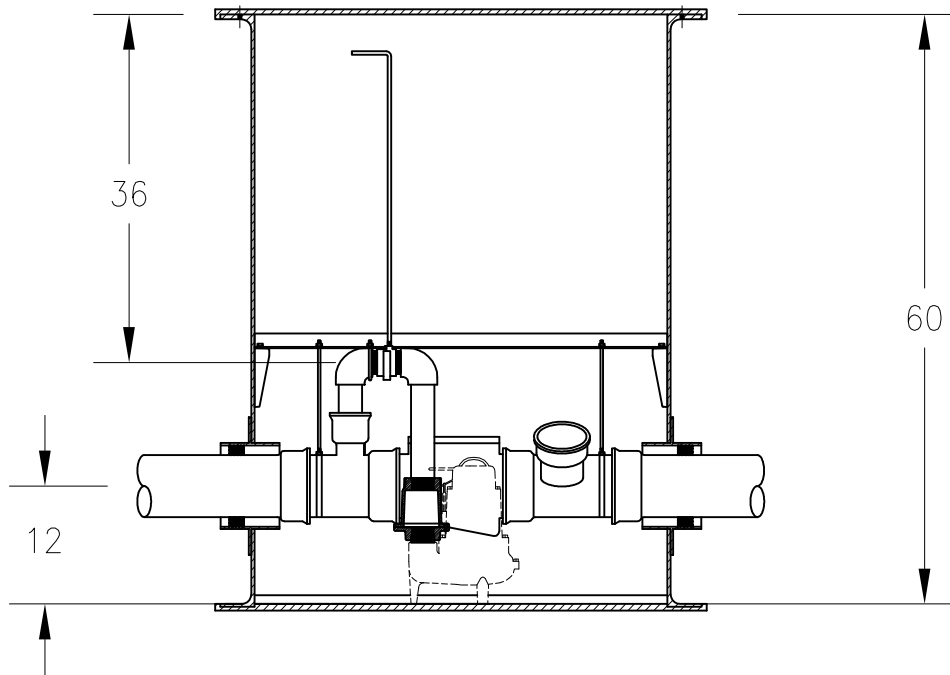
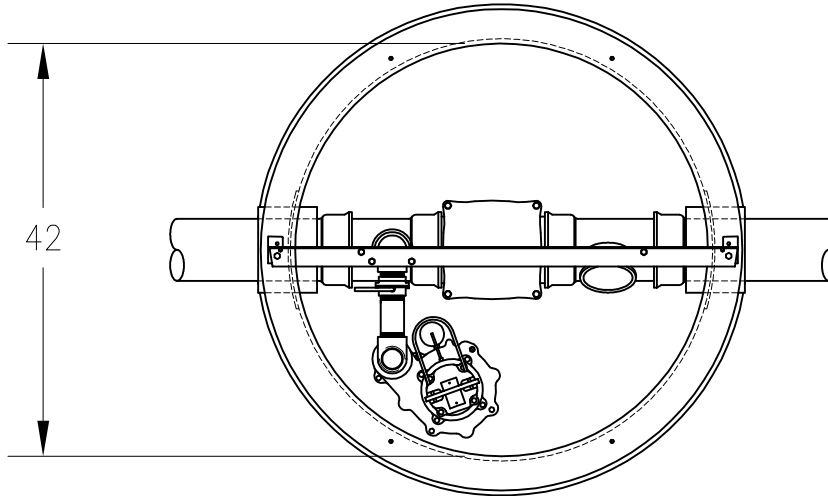


DRAWING REVISIONS				
LTR	BY	DATE	ECO #	DESCRIPTION



DO NOT SCALE PRINT		DRAFTER: M.FRENCH	9/7/10	TITLE:		
UNLESS OTHERWISE SPECIFIED DIMENSIONS ARE IN INCHES.		CHECKED:		FLOOD CONTROL SYSTEM BASIN, FG 42X60		
TOLERANCES:	DECIMALS	APPROVED:		SOLID FG COVER		DWG. No.
	.X ±~			6" CAST IRON/GALV PLBG		RD574-6CAST
ANGLES ± ~	.XX ±~			P/N: ~	REV.: ~	
FRACTIONS ± ~	.XXX ±~					
	.XXXX±~					

- IMPORTANT -

NUMBERS ENCLOSED IN A CIRCLE; EXAMPLE (1), INDICATES A CRUCIAL SPECIFICATION THAT MUST BE ROUTINELY VERIFIED.