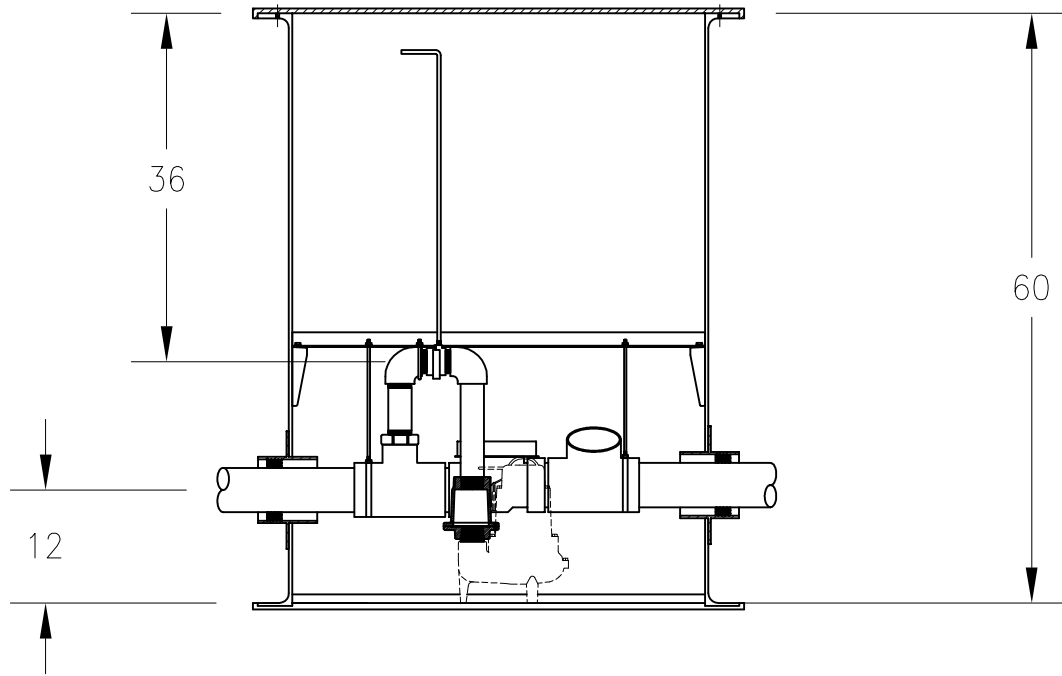
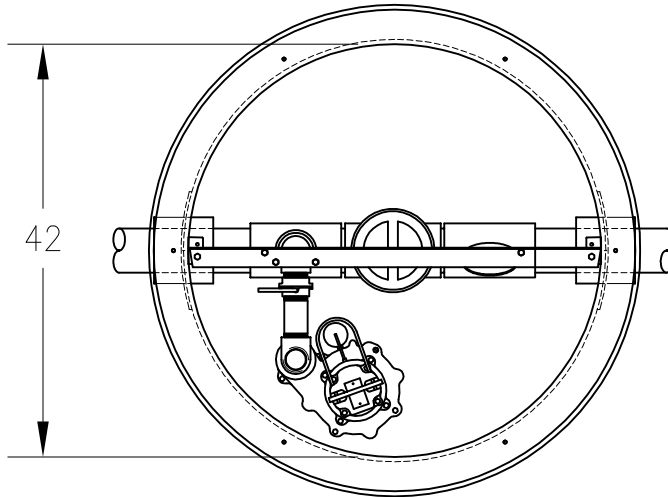


DRAWING REVISIONS				
LTR	BY	DATE	ECO #	DESCRIPTION



DO NOT SCALE PRINT
UNLESS OTHERWISE SPECIFIED
DIMENSIONS ARE IN INCHES.

TOLERANCES:	DECIMALS
	.X ±~
	.XX ±~
ANGLES ± 1°	.XXX ±~
FRACTIONS ± 1/32	.XXXX±~

DRAFTER: M. FRENCH
8/18/10
CHECKED:
APPROVED:

TITLE:
FLOOD CONTROL SYSTEM
BASIN, FG 42X60
SOLID FG COVER
4" PVC/GALV PLBG
P/N: ~ REV.: ~

ZOELLER
PUMP CO.
LOUISVILLE, KY.

SHEET: 1 OF 1
DWG. No.
RD574-4PVC

- IMPORTANT -
NUMBERS ENCLOSED IN A CIRCLE; EXAMPLE (1), INDICATES A CRUCIAL SPECIFICATION THAT MUST BE ROUTINELY VERIFIED.