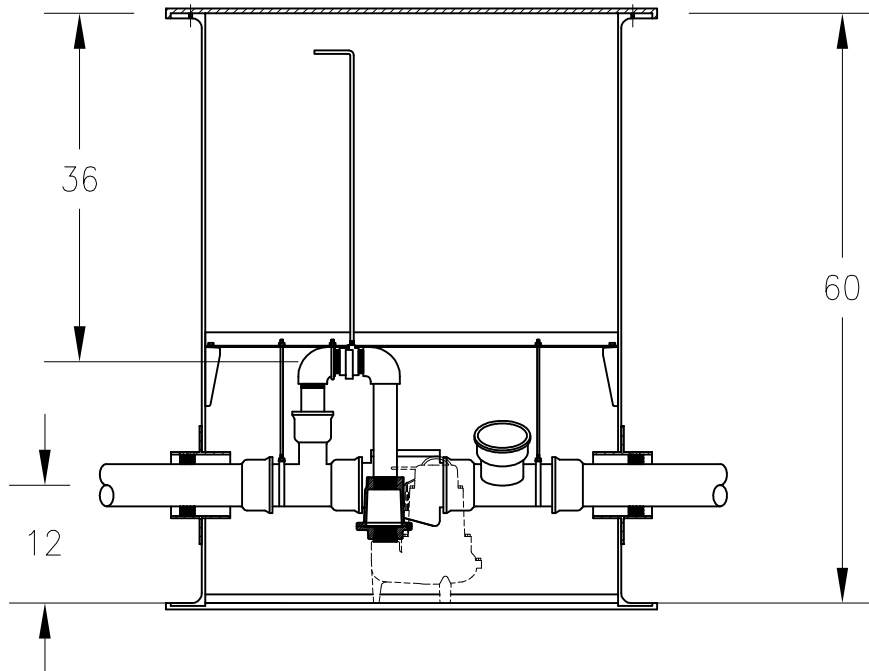
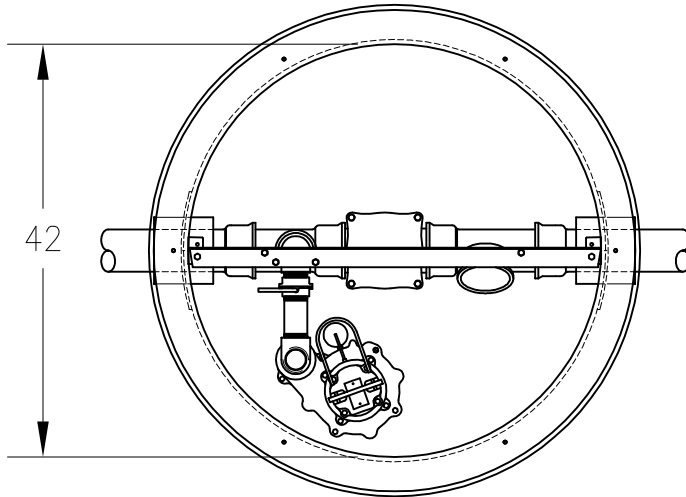



DRAWING REVISIONS				
LTR	BY	DATE	ECO #	DESCRIPTION



DO NOT SCALE PRINT		DRAFTER: M. FRENCH	8/18/10	TITLE:		
UNLESS OTHERWISE SPECIFIED DIMENSIONS ARE IN INCHES.		CHECKED:		FLOOD CONTROL SYSTEM BASIN, FG 42X60		
TOLERANCES:	DECIMALS	APPROVED:		SOLID FG COVER		DWG. No.
	.X ±~			4" CAST IRON/GALV PLBG		<b>RD574-4CAST</b>
ANGLES ± 1°	.XX ±~			P/N: ~	REV.: ~	
FRACTIONS ± 1/32	.XXX ±~					
	.XXXX ±~					

- IMPORTANT -

NUMBERS ENCLOSED IN A CIRCLE; EXAMPLE (1), INDICATES A CRUCIAL SPECIFICATION THAT MUST BE ROUTINELY VERIFIED.