



149-153/154

# QuantumOne™

Elongated Front, Pressure Assist  
Rear Outlet, Floor-Mount, Two-Piece Toilet

## Features

- Stylish, contemporary design
- Rear outlet, floor mount
- High performance, high efficiency (HET), pressure-assist, FlushMate IV™ technology
- 1.0 gpf / 3.8 lpf ultra-low water consumption
- SAVES up to 40% more water than conventional 1.6 gpf flushing systems
- SAVE more money! EcoQuantum™ qualifies for many water district rebate programs
- Can contribute 2 LEED points toward LEED certification under Credits 3.1/3.2
- EPA WaterSense™ Partner — Certified to meet the WaterSense™ criteria for performance and efficiency
- Commercial rated flushing system with Map Test results over 600 grams
- 2-1/8" glazed trapway quickly removes waste with less clogs
- 12" rough-in
- Large water surface area for maximum cleanliness
- Available in White and Standard Colors: Biscuit and Classic Bone (Consult price book for specific colors)
- Model 47 chrome plated push button actuator
- Also available with Model 45 left hand, chrome plated metal trip lever or Model 49 right hand, chrome plated metal trip lever (Consult price book for additional finishes)
- Upgrade with a color-match SmartClose™ or Primo™ toilet seat
- Outstanding protection — The Mansfield® limited lifetime warranty



Model 149-154  
Shown with SB1200  
Primo™ toilet seat



Model 153 Tank  
Shown with Model 45  
left hand trip lever



Model 153RH Tank  
Shown with Model 49  
right hand trip lever

**2**  
**LEED**  
**POINTS**



Visit [www.epa.gov/watersense/pp/find\\_het.htm](http://www.epa.gov/watersense/pp/find_het.htm)

Model No.	Description	Approx. Wt.
149-154	Elongated front, (1.0 gpf/3.8 lpf) rear outlet, pressure-assist, two-piece toilet. Includes tank trim and chrome plated, plastic push button actuator. Less toilet seat and supply. Specify color.	100 lbs. (46 kg)
149	Elongated front, rear outlet toilet bowl only. Less toilet seat. Specify color.	57 lbs. (25.6 kg)
154	Pressure-assist tank and cover only with chrome plated plastic push button actuator. Less supply. Specify color.	43 lbs. (20 kg)
153	Same as model 154, except with left hand, chrome plated, metal trip lever.	43 lbs. (20 kg)
153RH	Same as model 153, except with right hand, trip lever.	43 lbs. (20 kg)
SB400	Elongated, SmartClose™ toilet seat.	5.5 lbs. (2 kg)
SB1200	Elongated, Primo™ toilet seat.	5.5 lbs. (2 kg)

HIGH EFFICIENCY TOILET  
**HET**



149-153/154

# QuantumOne™

Elongated Front, Pressure Assist  
Rear Outlet, Floor-Mount, Two-Piece Toilet

## Features & Upgrades

### Toilet Trip Levers 45 and 49

Solid, durable front mount trip levers add attractive styling to this toilet. Trip lever 49 is the right hand version, used on Model 123 RH tank. Both trip levers are available in chrome plated (CH) finishes.



### Push Button Actuator 47

Solid, durable, top mount, push button actuator adds functionality to this toilet. Push button actuator 47 is available in the following finishes: polished chrome (CH) and polished brass (PB).



### Sloan Flushmate IV™ Vessel

The Sloan Flushmate IV™ pressure-assist vessel. The pressurized flushing action is second to none. Superior performance over conventional two-piece, gravity flush toilets.



### Add a Toilet Seat

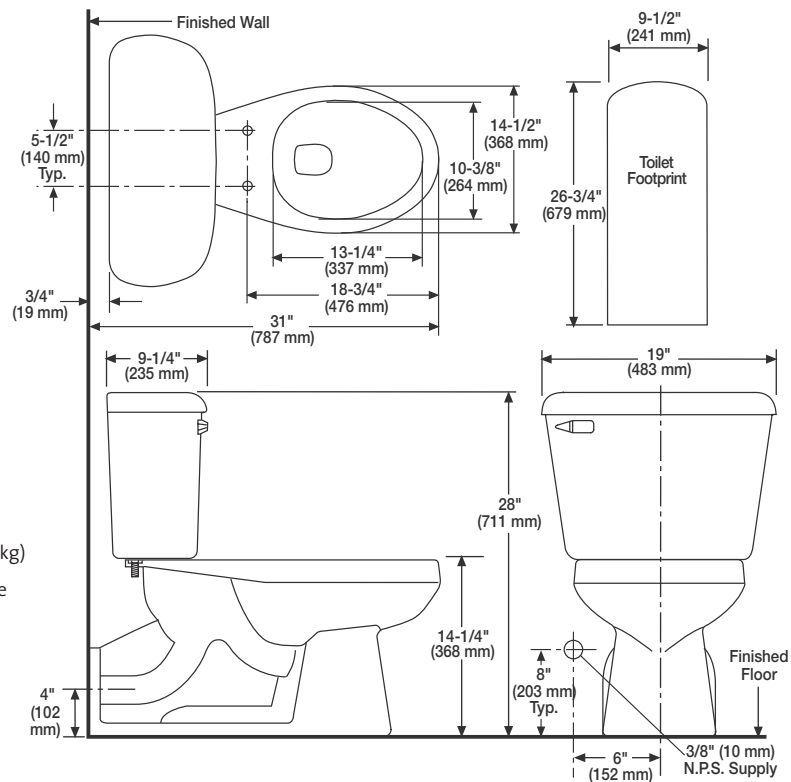
With a simple touch, Mansfield's newest SmartClose™ toilet seat closes gently and quietly. Or upgrade your toilet with a popular Primo™ toilet seat. Made of durable, high impact, heavy-duty plastic. For all applications — Get More, Get Mansfield®.



## Technical Information

### Specifications

Material	Vitreous China
Water Pressure Range	35 to 80 P.S.I.
Flush System	Flushmate IV™ Flushing Technology
Water Usage	1.0 gpf / 3.8 lpf
Water Surface Area	9-7/8" x 12-1/4"
Trap Diameter	2-1/8"
Trap Seal	2-7/8"
Rough-in	Rear Outlet
Shipping Dimensions	Model 149 32-1/4" x 16-1/8" x 15-1/4" (819 mm x 410 mm x 387 mm) Model 154/153/153RH 21" x 11-3/8" x 17-3/4" (533 mm x 289 mm x 451 mm)
Shipping Weight	Model 149 - 61 lbs (28kg) Model 154/153/153RH - 47 lbs (21 kg)
Warranty	Vitreous China - Limited Lifetime Vessel - Limited Ten Year Tank Trim - Limited One Year



These dimensions are nominal and are subject to change without prior notice.

Fixture performance and specifications meet or exceed, ANSI/ASME A112.19.2M standards and CSA B45 standard, and other state and local codes.

NOTE: Install this product according to the installation guide.  
Fixture dimensions are nominal and conform to tolerances in ASME Standard A112.19.2

See our complete line of acrylic and vitreous china bathroom fixtures, plastic tank trim and plumbing products.

